

DIECI



AGRI PIVOT

T50 | T60 | T80 | T90



dieci.com

PERFORMANCE

Vehicle model	AGRI PIVOT T50	AGRI PIVOT T60	AGRI PIVOT T80	AGRI PIVOT T90
Operating weight with standard bucket and quick coupling	6020 kg (13272 lb)	6020 kg (13272 lb)	8000 kg (17637 lb)	9800 kg (21605 lb)
Standard bucket capacity	0,85 m ³ (30 ft ³)	0,85 m ³ (30 ft ³)	1,20 m ³ (42 ft ³)	1,25 m ³ (44 ft ³)
Pull-out force	4800 daN (10791 lbf)	4800 daN (10791 lbf)	6700 daN (15062 lbf)	7470 daN (16793 lbf)
Towing force	4600 daN (10341 lbf)	5700 daN (12814 lbf)	6500 daN (14613 lbf)	8450 daN (18996 lbf)
Maximum climb angle	70%	80%	60%	80%
Max speed (referred to wheels with maximum permitted diameter)	30 km/h (18,6 mph)	40 km/h (24,9 mph)	40 km/h (24,9 mph)	40 km/h (24,9 mph)
Retracted in line tipping load	4050 kg (8929 lb)	4050 kg (8929 lb)	6100 kg (13448 lb)	6100 kg (13448 lb)
Retracted articulated tipping load	3575 kg (7882 lb)	3575 kg (7882 lb)	5400 kg (11905 lb)	5400 kg (11905 lb)
Extended in line tipping load	2350 kg (5181 lb)	2350 kg (5181 lb)	3200 kg (7055 lb)	3250 kg (7165 lb)
Extended articulated tipping load	2050 kg (4519 lb)	2050 kg (4519 lb)	2800 kg (6173 lb)	2900 kg (6393 lb)
Operating load EN474.3 (80%) retracted	2250 kg (4960 lb)	2250 kg (4960 lb)	3500 kg (7716 lb)	4100 kg (9039 lb)
Operating load EN474.3 (60%) retracted	1700 kg (3748 lb)	1700 kg (3748 lb)	2600 kg (5732 lb)	3050 kg (6724 lb)
Operating load EN474.3 (80%) extended	1400 kg (3086 lb)	1400 kg (3086 lb)	1800 kg (3968 lb)	2000 kg (4409 lb)
Operating load EN474.3 (60%) extended	1050 kg (2315 lb)	1050 kg (2315 lb)	1400 kg (3086 lb)	1500 kg (3307 lb)

BOOM

Vehicle model	AGRI PIVOT T50	AGRI PIVOT T60	AGRI PIVOT T80	AGRI PIVOT T90
Lifting	5,2 s	5,2 s	5,2 s	5,8 s
Descent	2,8 s	2,8 s	3,0 s	4,9 s
Extension	2,4 s	2,4 s	3,2 s	2,8 s
Retraction	1,3 s	1,3 s	2,3 s	2,4 s
Forward swiveling	1,8 s	1,8 s	3,1 s	2,0 s
Reverse swiveling	1,3 s	1,3 s	2,1 s	2,0 s

ENGINE

Vehicle model	AGRI PIVOT T50	AGRI PIVOT T60	AGRI PIVOT T80	AGRI PIVOT T90
Brand	Kubota	Kubota	FPT	FPT
Nominal power	54,6 kW (73 HP)	54,6 kW (73 HP)	96 kW (129 HP)	103 kW (138 HP)
@rpm	2600 rpm	2600 rpm	2200 rpm	2200 rpm
Operation	4-stroke	4-stroke	4-stroke	4-stroke
Injection	Electronic, Common rail	Electronic, Common rail	Electronic, Common Rail	Electronic, Common Rail
Number and arrangement of cylinders	4, Vertical in line	4, Vertical in line	4, Vertical in line	4, Vertical in line
Displacement	3331 cm ³ (203 in ³)	3331 cm ³ (203 in ³)	4485 cm ³ (274 in ³)	4485 cm ³ (274 in ³)
Intake	Turbo compressor	Turbo compressor	16-valve turbo compressor, after-cooler	16-valve turbo compressor, after-cooler
Cooling system	Liquid	Liquid	Liquid	Liquid
Emission standard	Stage V/Tier 4f	Stage V/Tier 4f	Stage IV/Tier 4f	Stage IV/Tier 4f

DIFFERENTIAL AXLES AND STEERING WHEEL

Vehicle model	AGRI PIVOT T50	AGRI PIVOT T60	AGRI PIVOT T80	AGRI PIVOT T90
Type of axles	2 rigid, with 4 planetary reduction gears	2 rigid, with 4 planetary reduction gears	2 rigid, with 4 planetary reduction gears	2 rigid, with 4 planetary reduction gears
Type of steering	With articulated chassis with a total angle of 80°, servo-assisted by power steering (Load Sensing)	With articulated chassis with a total angle of 80°, servo-assisted by power steering (Load Sensing)	With articulated chassis with a total angle of 80°, servo-assisted by power steering (Load Sensing)	With articulated chassis with a total angle of 80°, servo-assisted by power steering (Load Sensing)
Front axle	Rigid, self-locking	Rigid, self-locking	Rigid, self-locking	Rigid, self-locking
Rear axle	Swinging with 20° total stroke	Swinging with 20° total stroke	Swinging with 20° total stroke	Swinging with 20° total stroke
Service braking	Oil bath on front and rear axles on servo brake	Oil bath on front and rear axles on servo brake	Oil bath with servo brake on front and rear axles	Oil bath with servo brake on front and rear axle
Parking braking	Negative actuation with electrical control	Negative actuation with electrical control	Negative actuation with electrical control	Negative actuation with electrical control

REFUELING

Vehicle model	AGRI PIVOT T50	AGRI PIVOT T60	AGRI PIVOT T80	AGRI PIVOT T90
Hydraulic system (total)	80,0 L (21,13 gal)	80,0 L (21,13 gal)	120,0 L (31,7 gal)	170,0 L (44,91 gal)
Fuel tank	100,0 L (26,42 gal)	100,0 L (26,42 gal)	140,0 L (36,98 gal)	140,0 L (36,98 gal)
AdBlue tank	-	-	27,00 L (7,13 gal)	27,0 L (7,13 gal)

HYDRAULIC SYSTEM

Vehicle model	AGRI PIVOT T50	AGRI PIVOT T60	AGRI PIVOT T80	AGRI PIVOT T90
Hydraulic pump type	Gear pump for power steering and movements	Gear pump for power steering and movements	Gear pump for power steering and movements	Piston pump with variable displacement for power steering and movements.
Hydraulic pump capacity	101 L/min (26,7 gal/min)	101 L/min (26,7 gal/min)	114 L/min (30,1 gal/min)	150 L/min (39,6 gal/min)
Max. operating pressure	23,0 MPa (3336 psi)	23,0 MPa (3336 psi)	25,0 MPa (3626 psi)	26,0 MPa (3771 psi)

TRANSMISSION

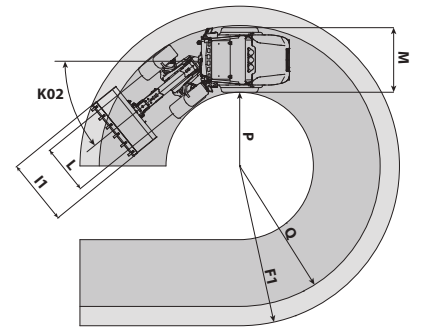
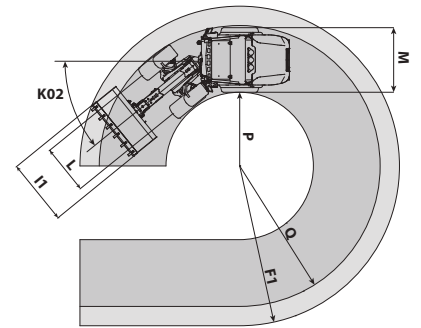
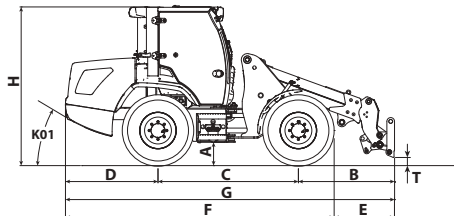
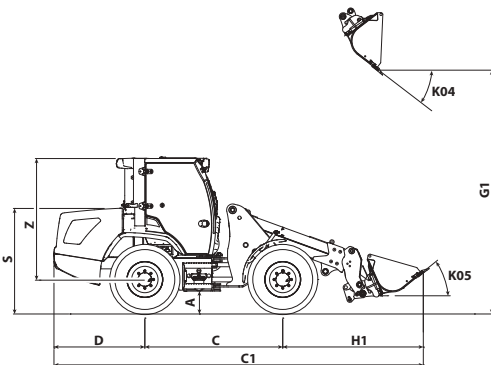
Vehicle model	AGRI PIVOT T50	AGRI PIVOT T60	AGRI PIVOT T80	AGRI PIVOT T90
Transmission type	Hydrostatic with variable displacement pump	Hydrostatic with variable displacement pump	Single speed Hydrostatic transmission with variable displacement pump	Hydrostatic Vario System EVO2 electronically controlled with 2 hydrostatic motors with continuous automatic adjustment
Hydraulic motor	Hydrostatic with continuous automatic adjustment	Hydrostatic with continuous automatic adjustment	Hydrostatic with continuous automatic adjustment	-
Transmission gearbox	Single speed Dropbox	Servo-controlled 2-speed	Single speed Dropbox	-
Inching	With hydraulic pedal for controlled forward movement	With hydraulic pedal for controlled forward movement	Pedal inching for controlled forward movement	With electronic pedal for controlled forward movement

TIRES

Vehicle model	AGRI PIVOT T50	AGRI PIVOT T60	AGRI PIVOT T80	AGRI PIVOT T90
Standard tires	405/70x20"	405/70x20"	15.5x25"	600/55-26.5"
Optional tires	420/75R20"; 500/45R20"; 600/40R22.5"	420/75R20"; 500/45R20"; 600/40R22.5"	460/70R24"; 600/50x22.5"; 500/70x24"	540/70-24; 540/70-24; 600/55-26.5

DIMENSIONS

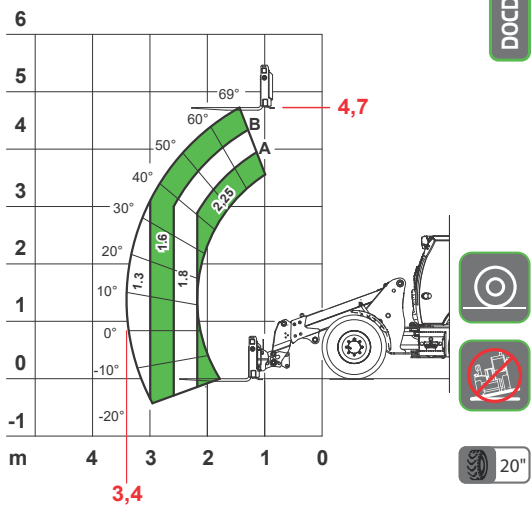
Vehicle model	AGRI PIVOT T50	AGRI PIVOT T60	AGRI PIVOT T80	AGRI PIVOT T90
A	365 mm (14,4 in)	365 mm (14,4 in)	400 mm (15,7 in)	351 mm (13,8 in)
B	1750 mm (68,9 in)	1750 mm (68,9 in)	1670 mm (65,7 in)	1898 mm (74,7 in)
C	2200 mm (86,6 in)	2200 mm (86,6 in)	2550 mm (100,4 in)	2800 mm (110,2 in)
C1	6015 mm (236,8 in)	6015 mm (236,8 in)	6760 mm (266,1 in)	7423 mm (292,2 in)
D	1450 mm (57,1 in)	1450 mm (57,1 in)	1675 mm (65,9 in)	1739 mm (68,5 in)
E	1190 mm (46,9 in)	1190 mm (46,9 in)	1030 mm (40,6 in)	1898 mm (74,7 in)
F	4210 mm (165,7 in)	4210 mm (165,7 in)	4865 mm (191,5 in)	5207 mm (205 in)
F1	4670 mm (183,9 in)	4670 mm (183,9 in)	5300 mm (208,7 in)	5906 mm (232,5 in)
G	5400 mm (212,6 in)	5400 mm (212,6 in)	5895 mm (232,1 in)	6440 mm (253,5 in)
G1	4155 mm (163,6 in)	4155 mm (163,6 in)	4400 mm (173,2 in)	4839 mm (190,5 in)
H	2490 mm (98 in)	2490 mm (98 in)	2680 mm (105,5 in)	2790 mm (109,8 in)
H1	2365 mm (93,1 in)	2365 mm (93,1 in)	2520 mm (99,2 in)	2884 mm (113,5 in)
I1	2000 mm (78,7 in)	2000 mm (78,7 in)	2200 mm (86,6 in)	2400 mm (94,5 in)
L	1430 mm (56,3 in)	1430 mm (56,3 in)	1790 mm (70,5 in)	1790 mm (70,5 in)
M	1880 mm (74 in)	1880 mm (74 in)	2250 mm (88,6 in)	2400 mm (94,5 in)
P	2060 mm (81,1 in)	2060 mm (81,1 in)	2500 mm (98,4 in)	2743 mm (108 in)
Q	4010 mm (157,9 in)	4010 mm (157,9 in)	4750 mm (187 in)	5193 mm (204,4 in)
S	1699 mm (66,9 in)	1699 mm (66,9 in)	1937 mm (76,3 in)	1990 mm (78,3 in)
T	93 mm (3,7 in)	93 mm (3,7 in)	201 mm (7,9 in)	192 mm (7,6 in)
Z	1962 mm (77,2 in)	1962 mm (77,2 in)	2106 mm (82,9 in)	2170 mm (85,4 in)
K01	31°	31°	30°	32°
K02	40°	40°	40°	40°
K04	40°	40°	40°	37°
K05	40°	40°	40°	38°



MAX 2,25 t



DOCDI0000766



EN474-3 (ISO14397)

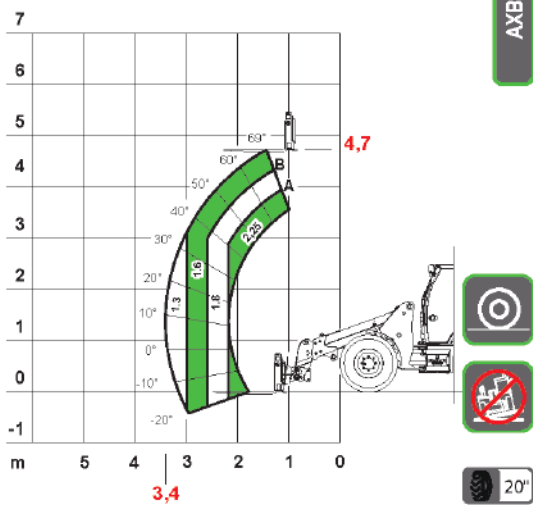


T 50

MAX 2,25 t



AXB1552



EN474-3 (ISO14397)

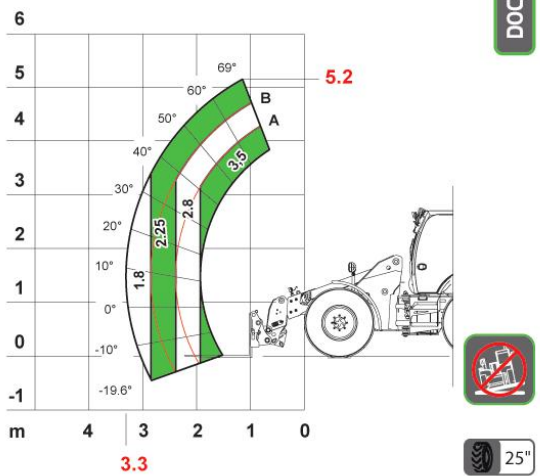


T 60

MAX 3,5 t



DOCDI0000174



EN474-3 (ISO14397)

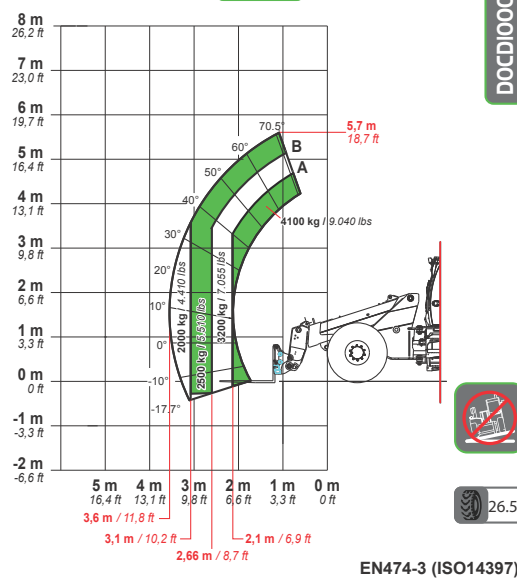


T 80

4100 kg / 9040 lb



DOCDI0000906



EN474-3 (ISO14397)



T 90